



DESCRIPTION

Inspired from tree branches, the Branch collection looks fluid and organic. Behind the airy, casual appearance lies a sophisticated design and well thought-out materials. The aluminium cast frame is combined with a seat and backrest in polypropylene, reinforced with glassfiber. Both materials are easy to maintain, recycable and optimally weather-resistant.

MATERIALS

- Frame: high pressure injected aluminium with a double powder coating (epoxy primer + polyester)
- Seat & back: polypropylene reinforced with glassfiber, UV-resistant
- Table tops tables: aluminium, Indonesian plantation teak or granite
- Table tops low tables: Indonesian plantation teak, lightened concrete or granite
- Seat beach chair & lounge: Batyline available in white, silkgrey and wengé. For the beach chair also a selection of fabrics (cfr page 5).

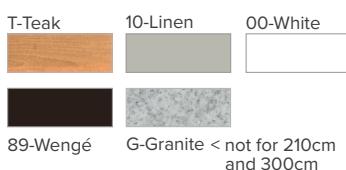
CUSHIONS

Filling in dryfoam which has an open cell structure, so air can circulate freely. Water passes through the filling, but dries quickly thanks to the large open pores, substantially inhibiting fungal growth. Fabrics available in category D, E & F.

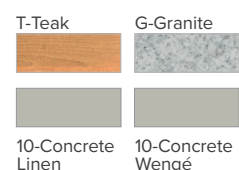
COLOURS FRAME



COLOURS DINING TABLE TOP



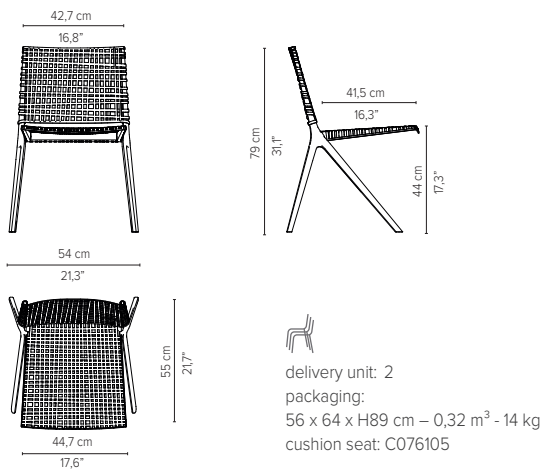
COLOURS LOW TABLE TOP



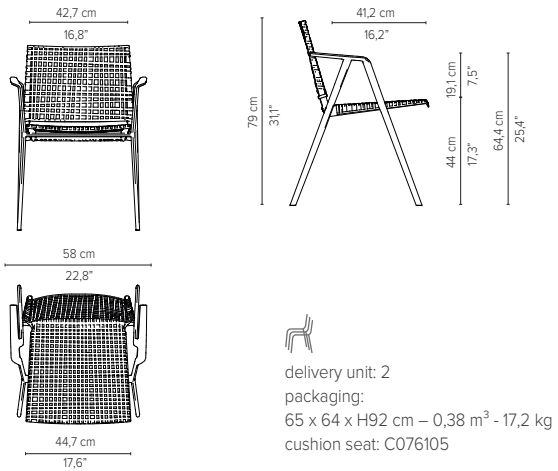
BRANCH

TECHNICAL DRAWINGS

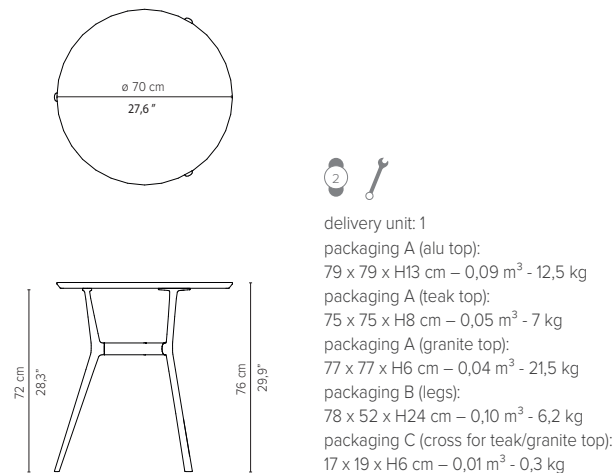
07610 - Side chair



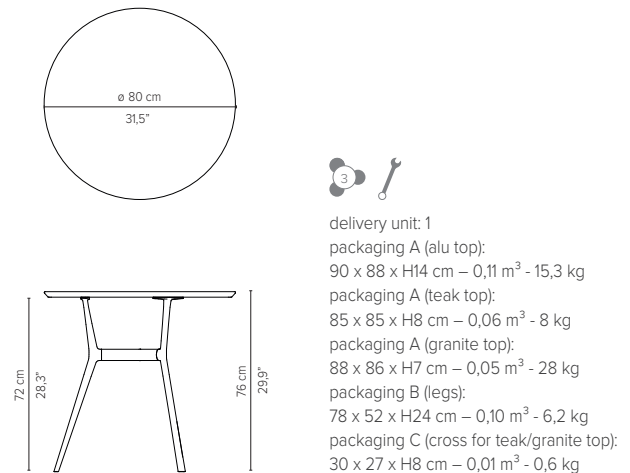
07618 - Armchair



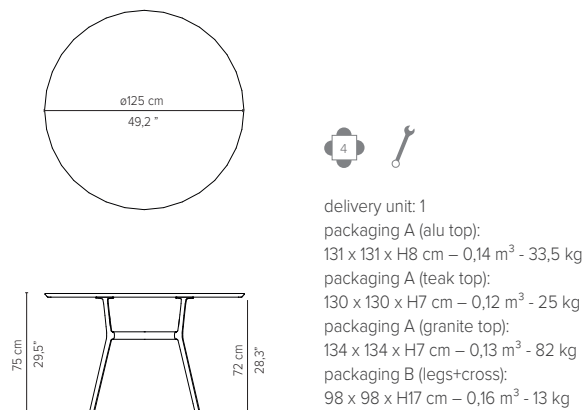
07661-x-y Bistro table round dia 70 cm



07660-x-y - Bistro table round dia 80 cm



07662-x-y Bistro table round dia 125 cm

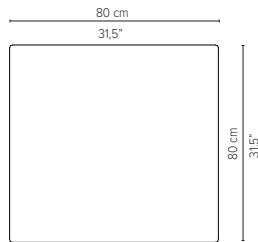
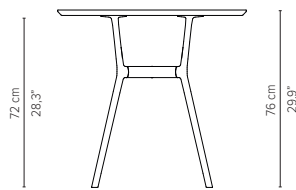


* Appearances, measurements and weights may slightly differ from reality.
 x refers to frame, y refers to table top.

BRANCH

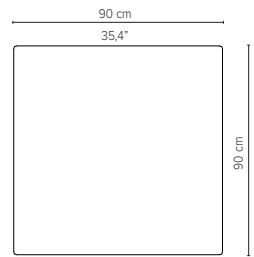
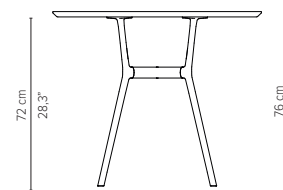
TECHNICAL DRAWINGS

07671-x-y Bistro table square 80 x 80 cm



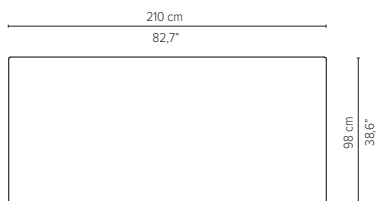
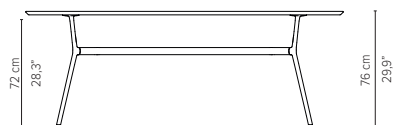
delivery unit: 1
 packaging A (alu top):
 88 x 88 x H15 cm – 0,12 m³ - 17,9 kg
 packaging A (teak top):
 85 x 85 x H8 cm – 0,06 m³ - 9 kg
 packaging A (granite top):
 87 x 87 x H7 cm – 0,05 m³ - 34 kg
 packaging B (legs) :
 78 x 52 x H24 cm – 0,10 m³ - 7,6 kg
 packaging C (cross for teak/granite top):
 17 x 19 x H6 cm – 0,002 m³ - 0,3 kg

07670-x-y Bistro table square 90 x 90 cm



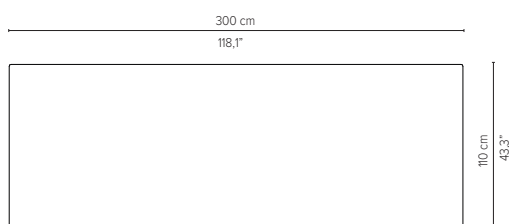
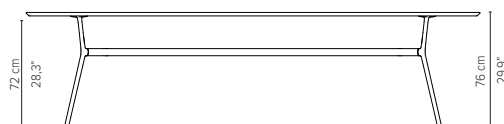
delivery unit: 1
 packaging A (alu top):
 98 x 100 x H14 cm – 0,14 m³ - 21,9 kg
 packaging A (teak top):
 95 x 95 x H8 cm – 0,07 m³ - 12 kg
 packaging A (granite top):
 98 x 98 x H6 cm – 0,06 m³ - 45 kg
 packaging B (legs) :
 78 x 52 x H24 cm – 0,10 m³ - 7,6 kg
 packaging C (cross for teak/granite top):
 25 x 25 x H8 cm – 0,005 m³ - 0,6 kg

07652-x-y Dining table 210 x 98 cm



delivery unit : 1
 packaging A (alu top):
 219 x 107 x H15 cm – 0,35 m³ - 49,2 kg
 packaging A (teak top):
 215 x 105 x H10 cm – 0,23 m³ - 43,5 kg
 packaging B (legs):
 78 x 52 x H24 cm – 0,10 m³ - 7,6k g
 packaging C (cross for teak top):
 142 x 31 x H7 cm – 0,03 m³ - 2,25 kg

07654-x-y Dining table 300 x 110 cm



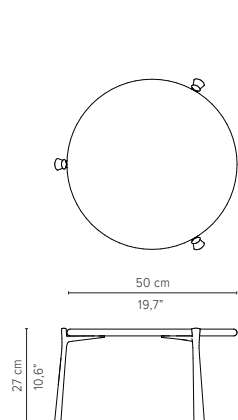
delivery unit: 1
 packaging A (alu top):
 313 x 124 x H19 cm – 0,74 m³ - 111,6 kg
 packaging A (teak top):
 305 x 115 x H10 cm – 0,35 m³ - 74 kg
 packaging B (legs):
 78 x 52 x H24 cm – 0,10 m³ - 7,6 kg
 packaging C (cross for teak top):
 222 x 32,5 x H7 cm – 0,05 m³ - 7 kg

* Appearances, measurements and weights may slightly differ from reality.
 x refers to frame, y refers to table top.

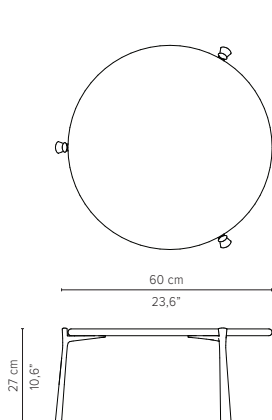
BRANCH

TECHNICAL DRAWINGS — logistic info available upon request

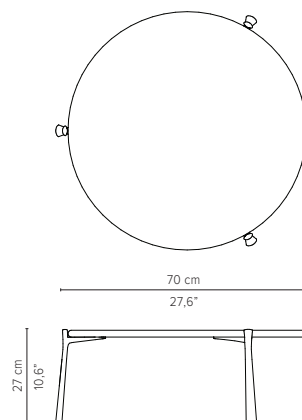
07680-x-y - Low table
H27 cm



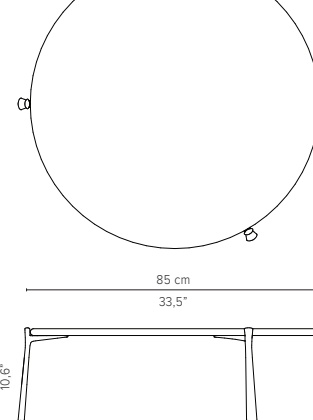
07682-x-y - Low table
H27 cm



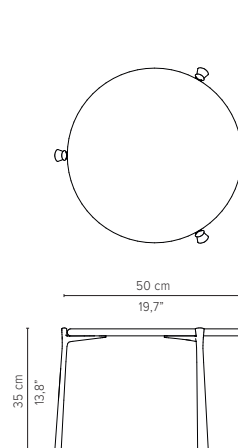
07684-x-y - Low table
H27 cm



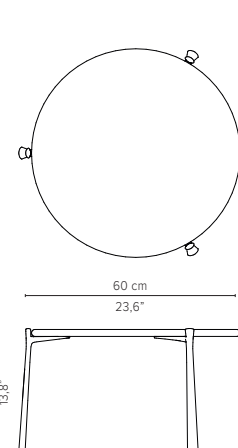
07686-x-y - Low table
H27 cm



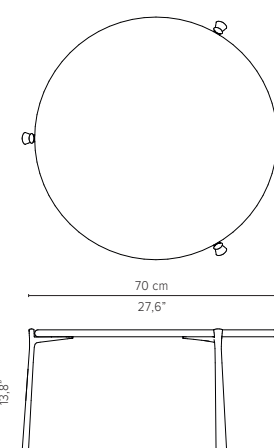
07690-x-y - Low table
H35 cm



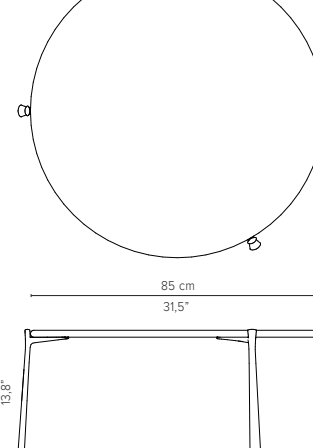
07691-x-y - Low table
H35 cm



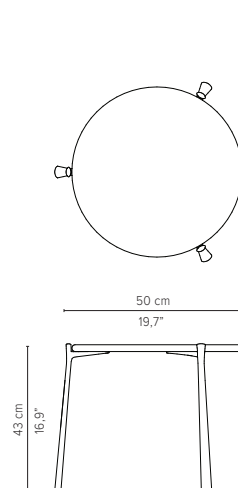
07692-x-y - Low table
H35 cm



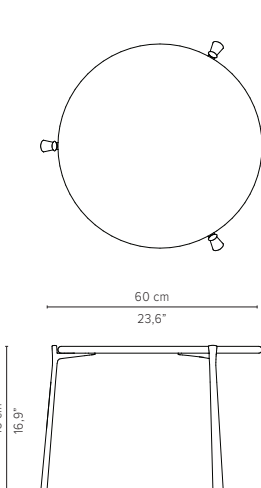
07693-x-y - Low table
H35 cm



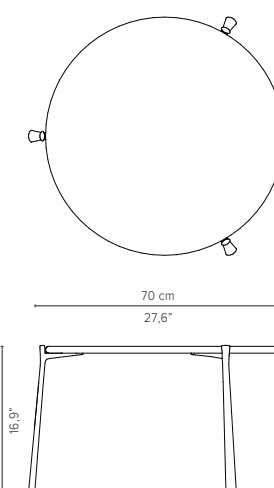
07681-x-y - Low table
H43 cm



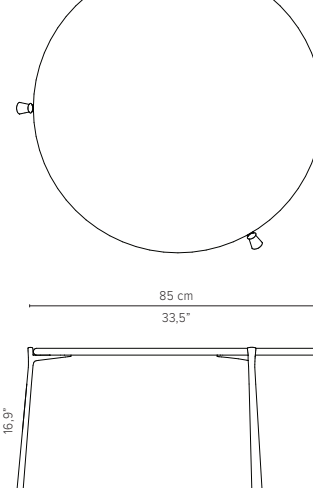
07683-x-y - Low table
H43 cm



07685-x-y - Low table
H43 cm



07687-x-y - Low table
H43 cm

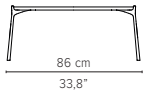
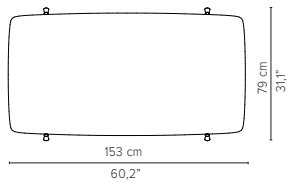


* Appearances, measurements and weights may slightly differ from reality.
x refers to frame, y refers to table top.

BRANCH

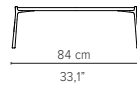
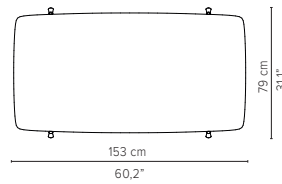
TECHNICAL DRAWINGS

07688-x-y Low table 153 x 79 cm H27 cm



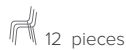
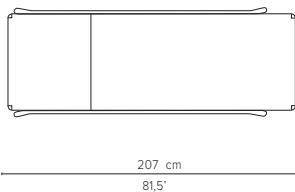
delivery unit: 1
 packaging A (concrete top):
 169 x 94 x H15 cm – 0,25 m³ - 63 kg
 packaging A (teak top):
 157 x 82 x H5 cm – 0,06 m³ - 17,5 kg
 packaging A (granite top):
 161 x 88 x H8 cm – 0,11 m³ - 75 kg
 packaging B (legs):
 31 x 35 x H19 cm – 0,02 m³ - 2 kg

07689-x-y Low table 153 x 79 cm H35 cm

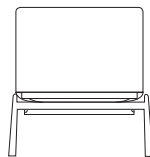
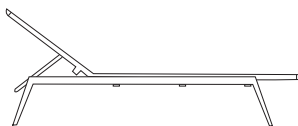


delivery unit: 1
 packaging A (concrete top):
 169 x 94 x H15 cm – 0,25 m³ - 63 kg
 packaging A (teak top):
 157 x 82 x H5 cm – 0,06 m³ - 17,5 kg
 packaging A (granite top):
 161 x 88 x H8 cm – 0,11 m³ - 75 kg
 packaging B (legs):
 46 x 35 x H19 cm – 0,03 m³ - 2,5 kg

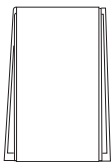
07640-x-y Lounger



delivery unit: 1
 packaging: 218 x 82 x 40 cm – 0,72 m² - 29 kg
 seat: Batyline® in 00-white, 71-silkgrey and 89-wengé
 cushion: C07640
 Adjustable into 6 positions



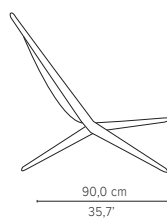
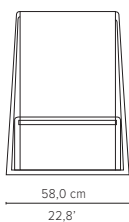
07612-x-y Beach Chair



delivery unit: 1
 packaging A (frame) 125 x 58 x 17 cm – 0,12 m² - 9,5 kg
 packaging B (seat) 56 x 19 x 9 cm – 0,09 m² - 0,7 kg
 seat: Batyline® in 00-white, 71 -silkgrey and 89-wengé
 or a selection of fabrics**

** Available fabrics for beach chair:

Neptune taupe (A72)	Luxury Papyrus (B04)
Neptune wengé (A89)	Luxury Cord (B16)
Ashe (I15)	Nubby Ebony (B17)
Leaf (42)	Nubby Mink (B18)
Revive Jaspe (B53)	Nubby Blue (B19)
Revive Clay (B50)	Luxury Pumpkin (B22)
Revive Havana (B51)	Luxury Spice (B84)
Revive Graphite (B52)	Luxury Carbon (B98)



* Appearances, measurements and weights may slightly differ from reality.
 x refers to frame, y refers to table top.

BRANCH

PROTECTION COVERS

For each item a cover is available that protects the furniture against dirt. These covers in grey colour are made of PU coated polyester which is water-repellent and UV-resistant. Thanks to their excellent breathable qualities the covers reduce condensation and heat build-up, helping to prevent the formation of mold and mildew. Always make sure that furniture, cushions and covers are completely dry before covering furniture.

MAINTENANCE

Frame

Clean the aluminium frame with tap water and a PH neutral soap. For stubborn stains, use Aluminium Cleaner. We advise to use Metal Protector twice a year which applies an invisible film and protects the aluminium against the adhesion of dirt.



D9952
Aluminium
Cleaner



D9930
Metal Protector Teflon®
(spray that lays an invisible dirt-repellent film)

Seat / Back

Rinse regularly with tap water and a pH neutral soap. For stubborn stains, use Synthetic Super Cleaner which can also be used to clean the aluminium frame, for extra protection we advise to use Synthetics Protector. Sharp objects should be avoided.



D9922
Synthetics
Super Cleaner



D9921
Synthetics
Protector

Table top Teak

Treat new teak with Teak Protector 4 à 6 weeks after installation. Teak Protector applies an invisible film that prevents stains and green deposit. Soiled teak can be cleaned with Teak Super Cleaner. Leave the furniture to dry completely and then apply Teak Protector. To avoid labour-intensive cleaning, you can treat the wood with Teak Sealer. A simple cleaning with water and a ph-neutral soap will do for many years. Teak Sealer contains UV protection to slow down the graying from the sun as well as a fungicide to prevent the growth of mold and mildew.



D9914
Teak Super
Cleaner



D9912
Teak Protector



D9959
Teak Sealer

Table top Granite

Clean with water and pH neutral soap. Granite Protector refreshes the gloss of the granite and makes it water and stain repellent. Do not use aggressive detergents as they attack the lime in the stone.



D9961
Granite
Cleaner/Protector

Table top Concrete

Clean with a soft clean cloth soaked in a solution of warm, clear water and a pH-neutral fluid detergent. Rinse thoroughly and let dry. Stains should be cleaned immediately, especially oily stains. To remove marks or stains, use Synthetics Super Cleaner and gently rub with a short-haired, soft brush. Do not use corrosive or acidic detergents. To restore the original shine to dull concrete surfaces, we recommend treating the surface after cleaning with protective wax.



D9922
Synthetics
Super Cleaner

BRANCH

TECHNICAL STANDARDS

07610 Side chair
07618 Armchair



ANSI/BIFMA X5.1-2011

EN1022:2005 6
EN581-1:2006 5
EN 1728:2012

ASTM B117-11 (MOD.)

CPSD-HL-01010-MTHD
CPSD-HL-01012-MTHD

07640 Lounger



ANSI/BIFMA X5.4-2012

ASTM B117-11 (MOD.)

CPSD-HL-01010-MTHD
CPSD-HL-01012-MTHD

BRANCH

PROJECT REFERENCES



Antiquvm Porto, Portugal – Branch side chair & square bistro table



Radisson Blu Edwardian, London – Branch side chair & round bistro table



Hotel Excelsior, Dubrovnik – Branch bistro table teak top